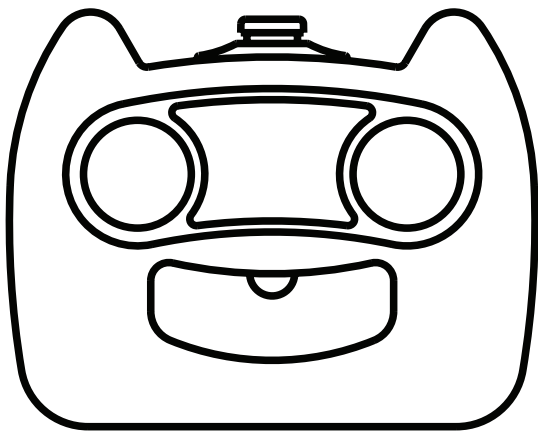




**BOLLY POWER  
OWNERS MANUAL**



**MODEL**  
Pro3600Si  
Pro3600Si/E  
Electric Start

***DIGITAL GENERATOR***  
**DSP TECHNOLOGY**

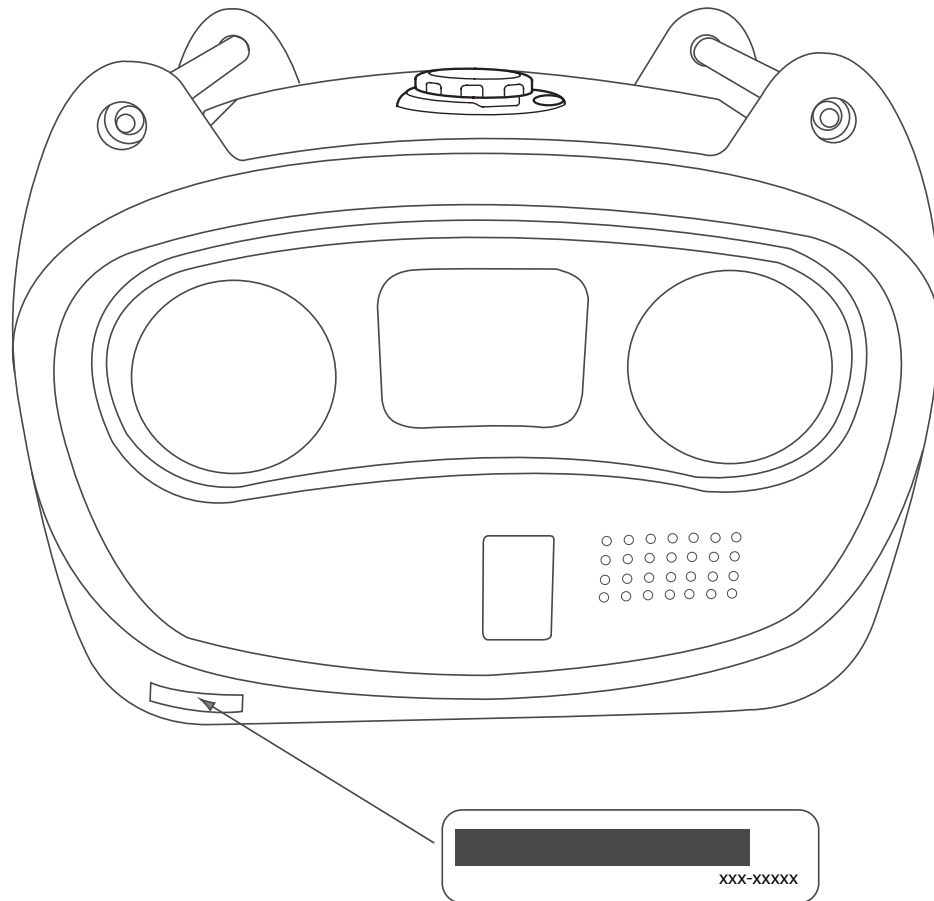
# TABLE OF CONTENTS

PLEASE READ ENTIRE MANUAL BEFORE OPERATING

<b>Introduction</b> .....	<b>1</b>
<b>Warranty</b> .....	<b>2-3</b>
<b>Safety Information</b> .....	<b>4-5</b>
Exhaust Fumes Are Poisonous	
Never Run Generator Indoors	
Fuel is Highly Flammable and Poisonous	
Engine and Muffler May be Hot	
Electric Shock Prevention	
Connection Notes	
Extension Cord Notes	
Battery	
<b>Control Function</b> .....	<b>6-7</b>
Description and Control Panel Key	
Oil Warning System	
Engine Switch	
DC Protector	
<b>Pre-Operation Check</b> .....	<b>8</b>
Fuel System	
Refueling and Fuel Level Gauge	
Engine Oil	
Ground (Earth)	
<b>Operation</b> .....	<b>9-12</b>
Starting the Engine	
Economy Control Switch	
Application Range	
Connection	
Stopping the Engine	
<b>Periodic Maintenance</b> .....	<b>13</b>
Maintenance Chart	
<b>Spark Plug Inspection</b> .....	<b>14</b>
Engine Oil Replacement	
Fuel Filter	
Fuel Tank Filter	
<b>Troubleshooting</b> .....	<b>15</b>
Engine won't Start	
Generator won't produce power	
Storage	
Drain the fuel	
Engine	
<b>Specifications</b> .....	<b>16</b>
<b>Wiring Diagram</b> .....	<b>17</b>
<b>Grounding Information</b> .....	<b>18</b>
<b>Portable Generator Hazards</b> .....	<b>19</b>
<b>Appendix</b> .....	<b>20</b>

## INTRODUCTION

Congratulations on purchasing your new BOLIY Generator. This manual covers operation and maintenance of the Pro3600Si/E generator. This manual will provide you with an excellent basic understanding of the operation, and maintenance of this machine. If you have any questions regarding the operation or maintenance of your machine, please consult your BOLIY dealer.



## MACHINE IDENTIFICATION

**MODEL**

**SERIAL NO.**

--	--

Record your generator model and serial number in the spaces provided, to assist you in ordering spare parts from a BOLIY dealer. Also record and keep these I.D. numbers in a separate place in case your machine is lost or stolen.

**Pro3600 SI & SiE  
OWNER'S MANUAL  
7th Edition, June, 2010  
All rights reserved.  
[www.boliypower.com](http://www.boliypower.com)**



**BOLLY**

## **2 YEAR FULL RUNABILITY & EMISSIONS COVERAGE BOLLY POWER WARRANTY POLICY**

This warranty is limited to Bolly products when distributed by Bolly Power. The following warranty applies to products purchased at retail or for recreational use after January 1, 2010.

### **Warranty Procedure:**

Congratulations on your purchase of a Bolly Generator. There are 2 ways to register your machine.

- 1.
2. Complete your warranty registration cards and mail to:

Register your machine online:  
Website: [www.bollypower.com](http://www.bollypower.com).

or

Bolly Power America,  
PO BOX 007 Iselin,  
NJ 08830-0007

or

Suzhou Zhonggu Mould Co., Ltd.  
Huangqiao Industrial Park,  
Suzhou Jiangsu,  
215132, China  
Tel: +86-512-65466507

**Please note that your warranty coverage is valid only if we have received a copy of your card.**

BOLLY hereby warrants that new BOLLY consumer generator purchased from an authorized BOLLY consumer generator dealer will be free from defects in material and workmanship for the period of time stated herein subject to certain stated limitations.

**THE PERIOD OF WARRANTY** Any new SI - Series or SIE - Series BOLLY Generator purchased for private, non- commercial use from an authorized BOLLY consumer generator dealer will be warranted against defects in material or workmanship for a period of two years from date of purchase, subject to exclusions noted herein. Any BOLLY non-commercial generator purchased and utilized for commercial or rental applications will be warranted for a period of one year from the date of purchase, subject to exclusions noted herein.

**DURING THE PERIOD OF WARRANTY** any authorized BOLLY consumer generator dealer will, free of charge, repair or replace, at BOLLY's option, any part judged defective by BOLLY due to faulty workmanship or material from the factory. Parts used in warranty repairs will be warranted for the balance of the product's warranty period. All parts replaced under warranty become property of BOLLY.

**GENERAL EXCLUSIONS** from this warranty shall include any failures caused by:

- a. Installation of parts or accessories that are not qualitatively equivalent to genuine BOLLY parts.
- b. Abnormal strain, neglect, or abuse.
- c. Lack of proper maintenance.
- d. Accident or collision damage.

**SPECIFIC EXCLUSIONS** from this warranty shall include parts replaced due to normal wear or routine maintenance.

**THE CUSTOMER'S RESPONSIBILITY** under this warranty shall be to:

1. Operate and maintain the generator as specified in the appropriate Owner's Manual
2. Give notice to an authorized BOLLY consumer generator dealer of any and all apparent defects within ten days after discovery, and make the unit available at that time for inspection and repairs at such dealer's place of business.

***BOLLY MAKE NO OTHER WARRANTY OF ANY KIND, EXPRESSED OR IMPLIED. ALL IMPLIED WARRANTIES OF MERCHANTABILITY AND FITNESS FOR A PARTICULAR PURPOSE WHICH EXCEED THE OBLIGATIONS AND TIME LIMITS STATED IN THIS WARRANTY ARE HEREBY DISCLAIMED BY BOLLY EXCLUDED FROM THIS WARRANTY.***

***SOME STATES DO NOT ALLOW LIMITATIONS ON HOW LONG AN IMPLIED WARRANTY LASTS, SO THE ABOVE LIMITATION MAY NOT APPLY TO YOU. ALSO EXCLUDED FROM THIS WARRANTY ARE ANY INCIDENTAL OR CONSEQUENTIAL DAMAGES INCLUDING LOSS OF USE. SOME STATES DO NOT ALLOW THE EXCLUSION OR LIMITATION OF INCIDENTAL OR CONSEQUENTIAL DAMAGES, SO THE ABOVE EXCLUSION MAY NOT APPLY TO YOU.***

***THIS WARRANTY GIVES YOU SPECIFIC LEGAL RIGHTS, AND YOU MAY ALSO HAVE OTHER RIGHTS WHICH VARY FROM STATE TO STATE.  
- BOLLY POWER***

- In a case the generator needs to be sent to a service center it is important to keep all of the original packaging materials.

## WARRANTY QUESTIONS AND ANSWERS

Q. What costs are my responsibilities during the warranty period?

of normal maintenance service, non-warranty repairs, accident damages, as well as oil and spark plugs.

Q. What are some examples of “abnormal” strain, neglect, or abuse?

A. These terms are general and overlap each other in areas. Specific examples include: Running the machine out of oil; lack of proper maintenance; operating the machine with a broken or damaged part which causes another part to fail; and so on. If you have any specific questions on operation or maintenance, please contact your dealer for advice.

Q. Does the warranty cover incidental costs such as transportation due to a failure?

A. Yes. If it is determined that it is an emissions related problem.

A. No. If it is a warranty claim that is not emissions related.

Q. May I perform any or all of the recommended maintenance shown in the Owner’s Manual instead of having the dealer do them?

A. Yes, if you are a qualified mechanic and follow the procedures specified in the Owner’s and Service Manual. We do recommend, however, that items requiring special tools or equipment be done by a BOLIY generator dealer.

Q. Will the warranty be void or cancelled if I do not operate or maintain my new BOLIY exactly as specified in the Owner’s Manual?

A. Yes. The warranty on a new BOLIY can be “voided” or “cancelled”.

**If a particular failure is caused by operation or maintenance other than as shown in the Owners Manual, that failure will not be covered under warranty.**

Q. What responsibility does my dealer have under this warranty?

A. Each BOLIY generator dealer is expected to:

1. Check the operation of the generator before sale.
2. Explain the operation, maintenance, and warranty requirements to your satisfaction at the time of sale, and upon your request at any later date.

### **CUSTOMER SERVICE**

In the event that something goes wrong with your Boliy Generator, our authorized team of technicians are available to help you get your Boliy Generator back up and running as quickly as possible. To take full advantage of our service center please chose one of the following options for your repair:

- 1) For the fastest service, you may exchange your unit for a ready to go unit of equal age and condition. A \$500 deposit will be required and will be refunded when the defective unit is returned. All replacement units will be shipped within 24 hours.
- 2) Return your defective unit and it will be repaired within 10 days and returned to you at no charge.

### **CHANGE OF ADDRESS**

The federal government requires each manufacturer to maintain a complete, up-to-date list of all first purchasers against the possibility of a safety-related defect and recall. This list is compiled from the purchase registrations sent to BOLIY. If you should move after you have purchased your new generator, please advise us of your new address by sending a post-card listing your BOLIY model name, engine number, and dealer name as it is shown on your warranty identification, your name and new mailing address. Mail to:

Boliy Power America,  
PO BOX 007 Iselin,  
NJ 08830-0007

or

Suzhou Zhonggu Mould Co., Ltd.  
Huangqiao Industrial Park,  
Suzhou Jiangsu,  
215132, China  
Tel: +86-512-65466507

This will ensure that BOLIY has an up-to-date registration record in accordance with federal law.

## SAFETY INFORMATION



**EXHAUST FUMES ARE POISONOUS.** Never operate the engine in a close area or it may cause unconsciousness and death within a short time. Operate the engine in a well ventilated area.

### NEVER RUN GENERATORS INDOORS OR IN CONFINED SPACES.

- Never sleep a running generator due to the emission of carbon monoxide.
- When working with a generator, keep at least 20 feet away from where it is running.
- Keep generators clear of all fresh air inlets (houses, buildings, campers, or tents) to avoid possible carbon monoxide poisoning.
- Failure to adhere to these precautions could result in POISONING or possibly even DEATH

### FUEL IS HIGHLY FLAMMABLE AND POISONOUS

- Always turn off the engine when refueling.
- Never refuel while smoking or in the vicinity of an open flame.
- Take care not to spill any fuel on the engine or muffler when refueling.
- If you swallow any fuel, inhale fuel vapor, or allow any to get in your eyes, see your doctor immediately. If any fuel spills on your skin or clothing, immediately wash soap and water and change your clothes.
- When operating or transporting the machine, be sure it is kept upright. If it tilts, fuel may leak from the carburetor or fuel tank.

### ENGINE AND MUFFLER MAY BE HOT

- Place the machine in a place where pedestrians or children are not likely to touch the machine.
- Avoid placing any flammable materials near the exhaust outlet during operation.
- Keep the machine at least 1 meter/3 feet from buildings or other equipment, or the engine may overheat.
- Avoid operating the engine with a dust cover.

### ELECTRIC SHOCK PREVENTION

- Never operate the engine in rain or snow.
- Never touch the machine with wet hands or electrical shock will occur.
- Be sure to ground (Earth) the generator.

### CONNECTION NOTES

Avoid connecting the generator to commercial power outlet. Avoid connecting the generator in parallel with any other generator.



**Before the generator can be connected to a building's electrical system, a licensed electrician must install an isolation (transfer) switch in the building's main fuse box. The switch is the connection point for generator power and allows selection of generator or main line power to the building. This will prevent the generator from charging the main power line (backfeeding) when the main power supply has failed or has been turned off for line repair. Backfeeding can electrocute or injure line maintenance personnel. Also, generator and building electrical system damage can occur when normal operating power returns if unit is used without an isolation switch.**

### EXTENSION CORD NOTES

- When using an extension cord, is total length should not exceed 50 feet with 12 gauge wire or up to 100 feet with 10 gauge wire.
- This extension cord should be protected by a tough flexible rubber sheath (IEC 245) or the equivalent to withstand mechanical stresses.

# BATTERY

## Battery

This generator is equipped with a sealed type (MF) battery, which does not require any maintenance. There is no need to check the electrolyte or to add distilled water.

## Battery preparation

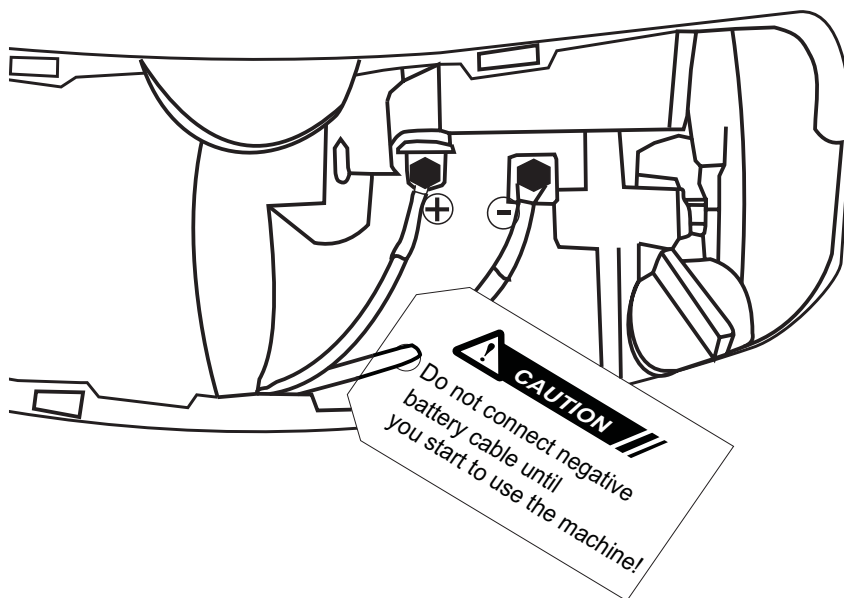
1. Open the front door.
2. Check the positive lead (red) connection to the positive (+) terminal.
3. Connect the negative lead (black) to the negative (-) terminal.
4. Close the front door.

## To charge the battery

Have a Boliy dealer charge the battery as soon as possible if it seems to have discharged.

## Recommended battery

Recommended battery:  
Capacity: 12V/4.5Ah or 12V 5Ah  
Size: L90\*W70\*H102mm



## WARNING

- Electrolyte is poisonous and dangerous since it contains sulfuric acid, which causes severe burns. Avoid any contact with skin, eyes or clothing and always shield your eyes when working near batteries. In case of contact, administer the following FIRST AID.
- EXTERNAL: Flush with plenty of water.
- INTERNAL: Drink large quantities of water or milk and immediately call a physician.
- EYES: Flush with water for 15 minutes and seek prompt medical attention.
- Batteries produce explosive hydrogen gas. Therefore, keep sparks, flames, cigarettes, etc., away from the battery and provide sufficient ventilation when charging it in an enclosed space.
- KEEP THIS AND ALL BATTERIES OUT OF THE REACH OF CHILDREN.

## Battery Storage

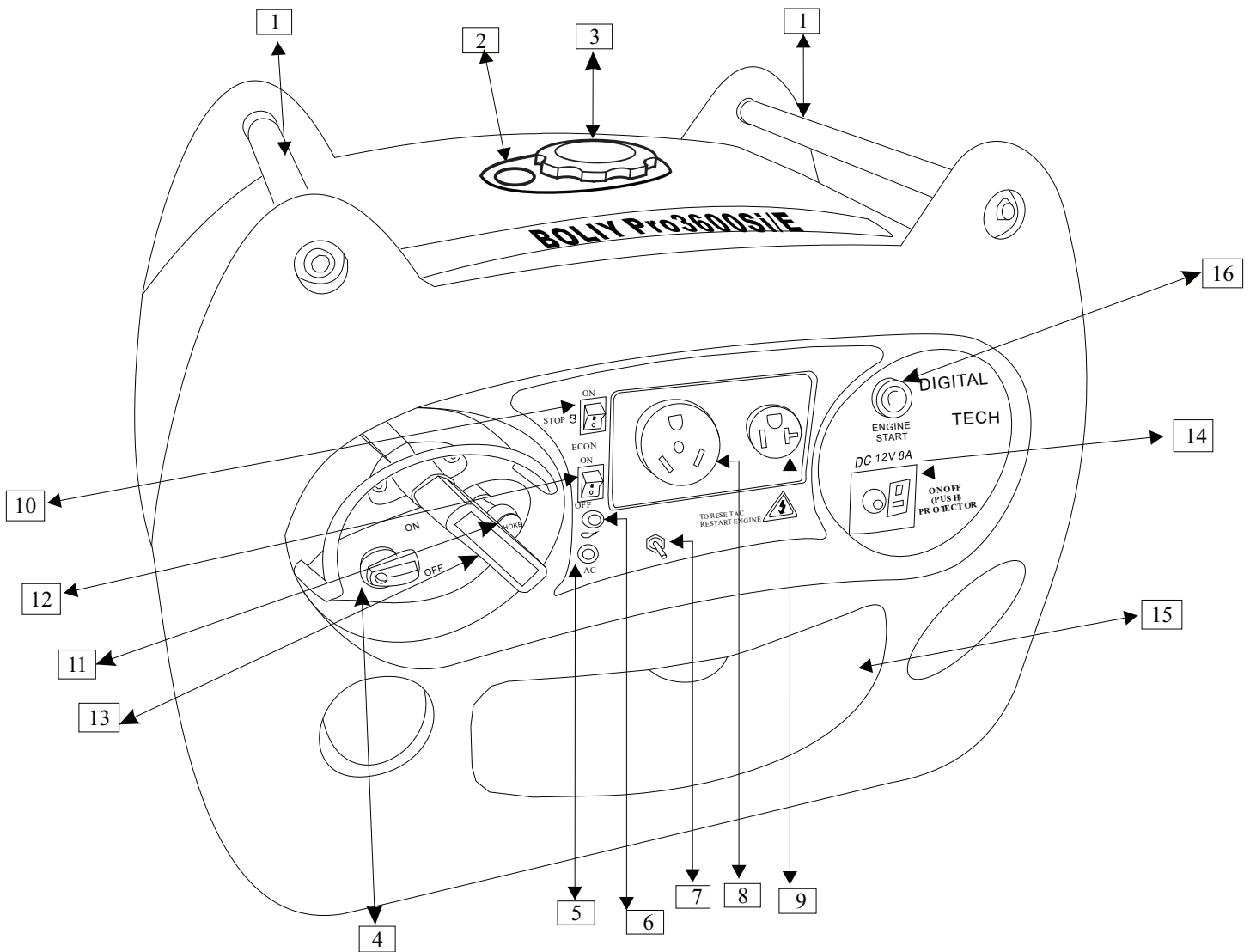
1. Remove the battery.
2. Store the battery in a cool, dark and dry place. Do not store the battery in an excessively warm or cold place [i.e., less than 0°C (30°F) or more than 30°C (90°F)].

## WARNING

- Disconnect the negative lead (black) first, then the positive lead (red) from the battery.
- Connect the positive lead (red) first, then the negative lead (black) to the battery when installing the battery.



## CONTROL FUNCTION



### Description and Control Panel Key

- |                            |   |
|----------------------------|---|
| 1. Carrying Handles        | 9. 30 Amp RV Receptacle                               |
| 2. Fuel Level Gauge        | 10. Engine On/Off Switch                              |
| 3. Fuel Cap and Vent       | 11. Choke Knob  |
| 4. Fuel On/Off Switch      | 12. Economy Control Switch<br>(SMART throttle switch) |
| 5. AC Ready Pilot Light    | 13. Recoil Starter                                    |
| 6. Oil Warning Light       | 14. DC Outlet and Reset Button                        |
| 7. Ground (Earth) Terminal | 15. Oil Fill Access Door Panel                        |
| 8. 30 Amp Receptacle       | 16. Engine Start button                               |



# CONTROL FUNCTION CONTINUED

## OIL WARNING SYSTEM

If the oil level falls below the safe operating level, the engine will stop automatically. Unless you refill with oil, the engine will not start again.

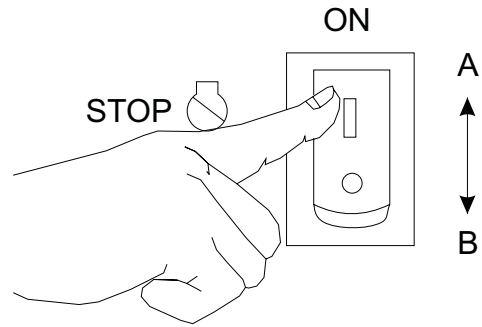
### **NOTE:**

If the engine stalls or does not start, turn the engine switch to “ON” position and then pull the recoil starter. If the oil warning light flickers for a few seconds, the engine oil is low. Add oil and restart.

### **ENGINE SWITCH**

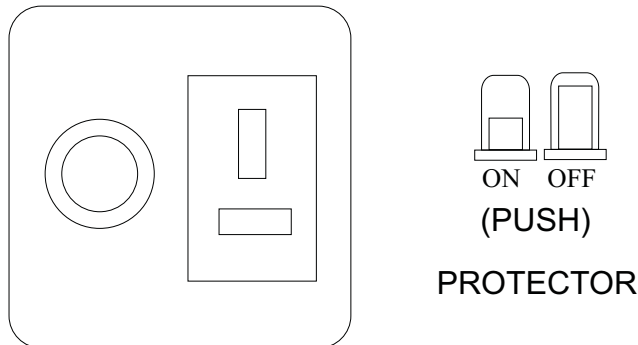
The engine switch controls the ignition system.

- A. Ignition circuit is switched on.  
The engine can be started.
- B. Ignition circuit is switched off.  
The engine will not run.



### **DC PROTECTOR**

The DC Protector turns off automatically when the load exceeds the generator rated output.



### **NOTE:**

If the DC Protector trips to the OFF position, press to reset. Reduce the load to the specified generator output if the DC protector turns off. If it turns off again, consult the authorized dealer.

# PRE OPERATION CHECKLIST

## NOTE:

Pre-operation checks should be made each time the generator is used.

## FUEL SYSTEM

Make sure there is sufficient fuel in the tank.

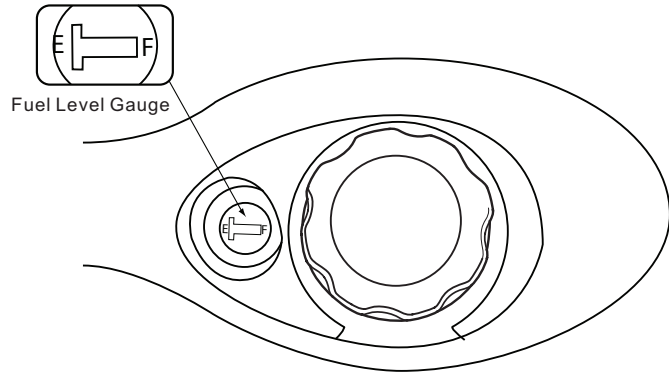
**Recommended fuel: Unleaded gasoline**

**Fuel tank capacity: Total 2.1 US Gallons**

The engine must use regular unleaded gasoline with a pump octane number (R+M)/2 of 86 or higher, or research octane number of 91 or higher. E-85 is NOT recommended.

## REFUELING AND FUEL LEVEL GAUGE

"F"	Full
"E"	Empty



To refuel, remove cap and fuel slowly until fuel gauge indicates full.



- Fuel is high flammable and poisonous. Check "SAFETY INFORMATION" carefully before refueling.
- DO not fill above the top of fuel filler or it may overflow when the fuel the fuel heats up later and expands.
- Wipe up any spilled fuel immediately.
- After refueling, make sure the tank cap is tightened.

## ENGINE OIL

Make sure the engine oil is at the upper level of the oil filler hole. Add oil as necessary.

Recommended oil for most climates: 10W 30

For extremely cold conditions the oil viscosity may be lowered to ease starting: 5W 30

Engine Oil Quantity: 0.63 US qt

## NOTE:

Recommended engine oil classification: API Service "SE" or "SF"; if not available, "SD"



**The generator has been shipped without engine oil. Fill with oil or it will not start.**

## GROUND (EARTH)

Make sure to ground (Earth) the generator. SEE PAGE 17.

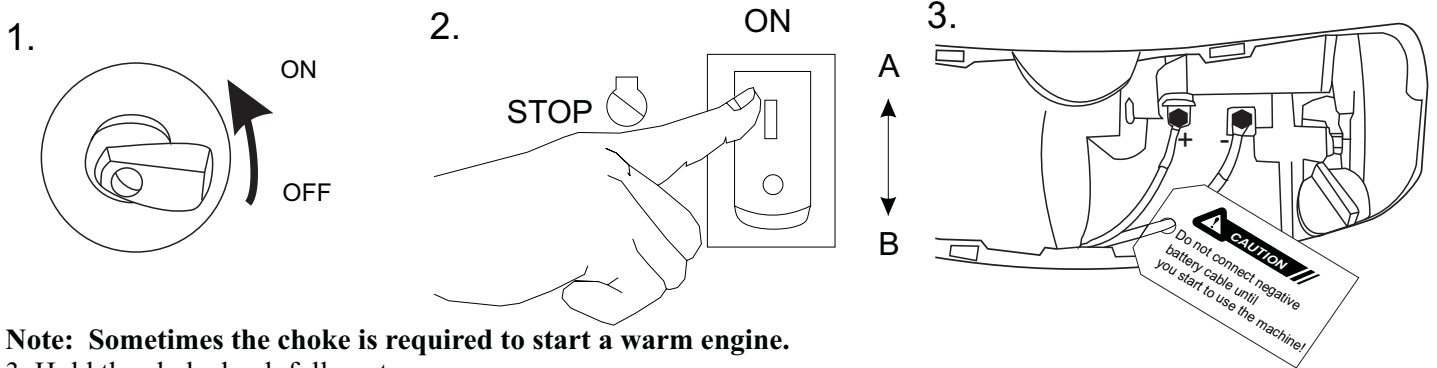
# OPERATION

## STARTING THE ENGINE

### NOTE:

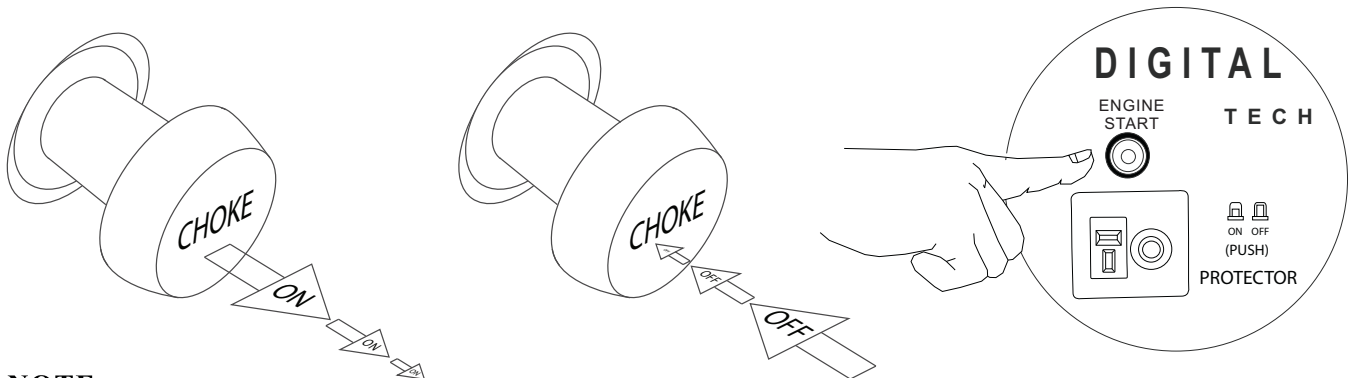
Before starting the engine, do not connect any electric devices.

1. Turn the fuel switch lever to the “ON” position.
2. Turn the engine switch to the “ON” position.
3. Please make sure fix cathcode cable to the crank case(Electric start model).



**Note:** Sometimes the choke is required to start a warm engine.

3. Hold the choke knob fully out.
4. Pull slowly on the recoil starter until it is engaged, then pull it briskly. (Electric start model can press engine start button to start.)
5. After the engine starts, warm up the engine until the engine does not stop when the choke knob is returned to the original position.
6. Push the choke knob back to the original position.



### NOTE:

When starting the engine in areas where the ambient temperature is below 0°/32° F run the engine for one to three minutes. This will warm up the engine.

## ECONOMY CONTROL SWITCH (120V/60Hz type have this switch)

Engine speed is kept at idle automatically when the electrical device is disconnected and is returned to the proper speed by the electrical load when the electrical device is reconnected. The economy control switch in “ON” position is recommended to minimize the fuel consumption while in normal operation.

### NOTE:

When high electrical load devices are connected simultaneously, turn the economy control switch to the “OFF” position, the engine speed will increase to reduce voltage changes. Otherwise the generator will not operate sufficiently to run high demand electrical devices.

## OPERATION CONTINUED

### AC CONNECTION

#### ALTERNATING CURRENT (AC)



- **Be sure electric devices including the lines and plug connections are in good condition before connection to the generator.**
  - **Be sure any electric devices are turned off before plugging it in.**
  - **Be sure the total load is within generator rated output.**
  - **Be sure the receptacle load current is within receptacle rated current.**
1. Wind the power lead 2 or 3 turns around the carrying handle.
  2. Start the engine.
  3. Plug in to the AC receptacle.
  4. Make sure the AC indicator light is on.
  5. Turn on any electric devices.

#### OVERLOAD INDICATOR LIGHT

The overload indicator light (the AC pilot light) will flash when an overload of connected electrical device is detected or the inverter control unit overheats. The electronic breaker will then activate, stopping power generation in order to protect the generator and any connected electric devices, but the engine will not stop running.

When the overload indicator light comes on and power generation stops, proceed as directed:

1. Turn off any connected electric devices and stop the engine.
2. Reduce the total wattage of connected electric devices within the application range.
3. Check for blockages in the cooling air inlet and around the control unit. If any blockages are found, remove.
4. After checking, restart the engine.

*Note: The highest peak load on this model is 3600 watts, the short term peak load is 3300 watts and the max operating load is 3,000 watts. High temperatures or high elevations will reduce the expected performance of this generator.*

#### **NOTE:**

The generator AC output automatically resets when the engine is stopped and restarted.

### USING THE GENERATOR FOR BATTERY CHARGING



**Do not use AC and DC power at the same time or the generator may be damaged.**

#### **NOTE:**

The generator DC rated voltage is 12 V.

1. Start Engine
2. Plug in battery charge wires to D.C. receptacle-#14 on CONTROL FUNCTION DIAGRAM

#### **NOTE:**

- Make connections to the battery after starting the engine
- Clamp the red wire to the positive(+)terminal and the black wire to the negative(-)terminal of the battery.  
Do not reverse these positions.

## OPERATION CONTINUED



- Be sure the battery leads are properly connected and is not damaged or obstructed.
- Be sure breather hose is properly connected and is not damaged or obstructed.
- Reduce the load to the specified generator rated output if the DC protector turns off. If it turns off again, consult the authorized dealer.

### NOTE:

- If short or overdraw should occur in the system, it will cause the DC Protector to trip. Press to reset the DC protector.

### NOTE:

- At full charge, electrolyte specific gravity is between 1.26 and 1.28
- Check specific gravity hourly.



Never smoke near the battery while charging. Do not make or break connections while the battery is charging. This may cause sparks to ignite the battery gas. Battery acid is poisonous and dangerous; it contains sulfuric acid. Avoid contact with skin, eyes, and clothing as it will cause severe burns.

If contact occurs:

**EXTERNAL - Flush with water.**

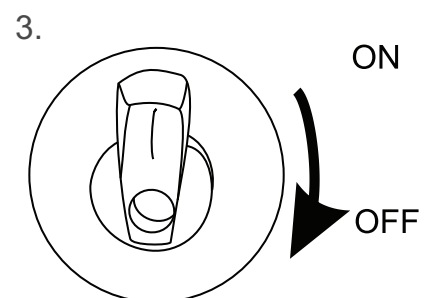
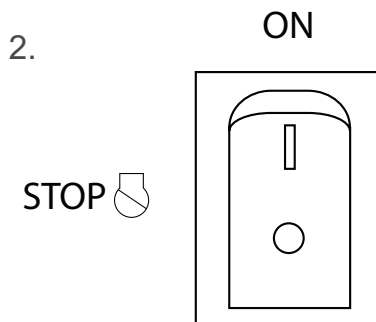
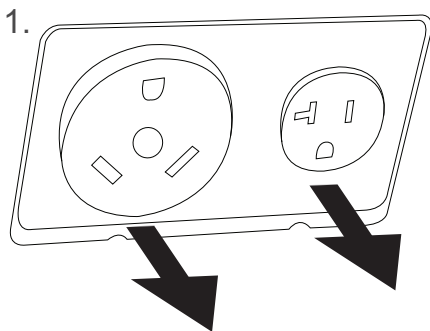
**INTERNAL - Drink large quantities of water or milk, then drink milk of magnesia beaten egg or vegetable oil. Call physician immediately.**

**EYES - Flush with water for 15 minutes and get prompt medical attention.**

Batteries produce explosive gases. Keep sparks, flame, cigarettes, etc., away from the generator. Ventilate when charging or using in closed space. Always cover eyes when working near batteries. **KEEP OUT OF REACH OF CHILDREN.**

### STOPPING THE ENGINE

1. Disconnect any electric devices.
2. Turn the engine switch to the "STOP" position.
3. Turn the fuel lever to "OFF"



## OPERATION CONTINUED

### APPLICATION RANGE: APPROXIMATE WATTAGE REQUIRED FOR STARTING

	Household	RV		Household	RV
Coffee Maker	1750	1750	Electric Chain Saw	1100	1000
Dishwasher			- 14 inces,2HP		
-Cool Dry	700	1400	Table Saw		
Electric Fry Pan	1300	1300	- 10 inches	1800	4500
Electric Range			Drills		
-8- inch element	2100	2100	-3/8 inch,4 amps	440	600
Microwave Oven	1000	2100	-1/2 incn,5.4 amps	600	900
20"Box Fan or Table Fan	120	180	Capacitor Start induction Run		
Electric Blanket	150	150	-1/3 Horsepower	720	1300
Refrigerator	192	1200	-1 Horsepower	1600	4500
Automatic Washer	1150	2300	Capacitor Start Capacitor Run		
Clothes Dryer			-1 1/2 Horsepower	2000	6100
-Electric	5750	1800	Fan Duty		
Furnace Fan, gas or fuel oil			-1/6 Horsepower	550	850
1/8 Horsepower	300	500	Farm Equipment		
1/4 Horsepower	600	1000	Electric Fence,25 miles	250	230
½ Horsepower	875	2350	Milk Cooler	1100	1800
Lights (as indicated on bulb)			Milkier (vacuum pump)		
Radio	50-200	50	-2 Horsepower	1000	2300
Sump Pump			Portable Heater(kerosene, diesel fuel)		
1/3 Horsepower	800	1300	-50,000BTU	400	600
½ Horsepower	1050	2150	-90,000BTU	500	725
Television			-150,000 BTU	625	1000
-color	300	300	Battery Charger		
RV Air Conditioner			-15 amp	380	380
13,500 BTU	1800	2800	-60 amp/250-amp boost	1500/5750	1500
Room Air Conditioner			-100 amp/300-amp boost	2400/7800	2400
10,000 BTU	1500	2200	Electric Welder		
Contractor			-200 amp AC	9000	9000
Air Compressor			-230 amp AC, at 100 amp	7800	7800
-1 Horsepower	1500	4500	Air Compressors		
Bench Grinder			-1/2 Horsepower	975	1600
-8 inches	1400	2500	-1 Horsepower	1600	4500
Hand Drill			Computers		
-1/2 inch	600	600	-Desktop	600to800	600
High-Pressure Washer			-Laptop	600to250	200
-1 Horsepower	1200	3600	-Monitor	200to250	200
Circular Saw, Heavy Duty			Fax	600to800	600
-7 1/4 inches	1400	2300	Printer	400to600	400

**NOTE:**

- Application wattage indicates when each device is used by itself



- Be sure the total load is within generator rated output otherwise generator damage may occur.
- Do not use AC and DC power at the same time or the generator may be damaged

**NOTE:**

Some precision equipment is voltage sensitive and may require a uniform voltage supply than portable genera-torso provide Examples include some medical equipment, personal computers, and some inverters that sense peak and RMS voltage values. Consult the precision-equipment vendor before relying on any portable generator to provide power to such equipment.

# PERIODIC MAINTENANCE

## MAINTENANCE CHART

Regular maintenance is most important for the best performance and safe operation.



**Stop the engine before starting maintenance work.**

Item	Remark	Pre-Operation Check (Daily)	Initial 1 month /20 Hours	Every 3 Month /50 Hours	Every 6Month /100 Hours	Every 12Month /300 Hours
Spark Plug	Check condition. Adjust gap and clean. Replace if necessary.			○		
Engin Oil	Check oil level/Replace	○				
Air Filter	Clean/Replace if necessary		○		○	
Fuel Filter	Clean fuel cock and fuel tank filter. Replace if necessary.			○		
Value Clearance	Check and adjust when engine is cold.				○	
Fuel Line	Check fuel hose for crack or damage. Replace if necessary.	○				○
Exhaust System	Check for leakage. Re-tighten or replace gasket if necessary.	○				
	Check muffler screen. Clean/replace if necessary.				○	
Choke Handle	Check choke's operation.	○				
Cooling System	Check fan damage.					○
Starting System	Check recoil starter operation.	○				
Decarburization	More frequently if necessary.					○
Generation	Check the pilot light comes on.	○				
Fittings /Fasteners	Check all fittings and fasteners. Correct if necessary.				○	



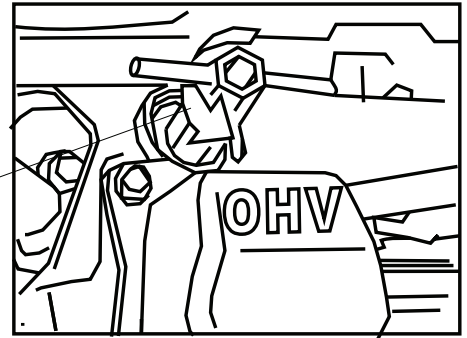
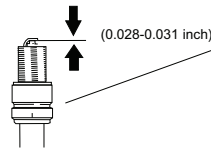
**Use only genuine BOLIY replacement parts. If you have questions, contact your dealer or Boliy USA (651-407-1457)**



## SPARK PLUG INSPECTION

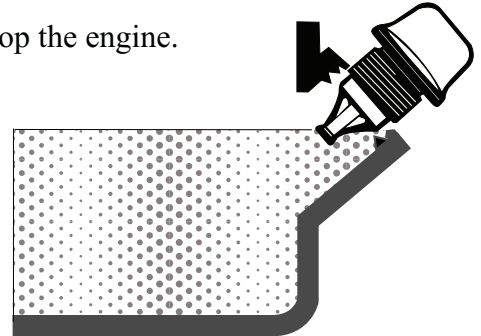
You should periodically remove and inspect the spark plug.

1. Check for discoloration and remove the carbon.
2. Check the spark plug type and gap.  
Standard electrode color: Tan Color  
Standard Spark Plug: BPR4ES(NGK)(F7RTC)  
Gap: (0.028-0.031 inches)
3. Install the spark plug.  
Spark Plug Torque: 14 lbs. -Ft.



## ENGINE OIL REPLACEMENT

1. Place the machine on a level surface and warm up the engine. Then stop the engine.
2. Remove the rubber cap on the bottom..
3. Place an oil pan under the engine. Remove the drain bolt
4. Open the oil filler cover as shown and remove the oil filler cap so that the oil can be completely drained.
5. Check the drain bolt, gasket, oil filler gap and O-ring.
6. Reinstall the oil drain bolt. -Drain Bolt Torque: 12 Ft. lbs.
7. Add engine oil to the upper level.



- Recommended oil for most climates: 10 W30
- For extremely cold conditions the oil viscosity may be lowered to ease starting: 5W 30
- Engine Oil Quantity: 0.63 US qt

### NOTE:

Recommended engine oil classification: API Service "SE" or "SF"



**Be sure no foreign material enters the crankcase.**

8. Install the oil filler cap.
9. Install the rubber cap on the bottom.



**Be sure to install securely to prevent from falling off during operation.**

10. Close the oil filler cover.

## FUEL FILTER



Do not smoke or have an open flame in the vicinity of the fuel and solvent.

1. Stop the engine:
2. Clamp the fuel line with the clip.
3. Replace the fuel filter.

## FUEL TANK FILTER

1. Remove the fuel tank cap and filter.
2. Clean the filter with solvent, if damaged, replace.
3. Wipe the filter and insert it.



**Be sure the tank cap is securely tightened.**

# TROUBLESHOOTING

## ENGINE WON'T START

1. Fuel system, engine is not getting fuel.
  - No fuel in tank... Supply fuel.
  - Clogged fuel line... Clean fuel line.
  - Foreign matter in fuel filter... Replace fuel filter.
  - Clogged carburetor... Clean carburetor.
2. Engine oil light flashes
  - Oil level is low... Add engine oil.
3. Electrical system
  - Engine switch to "ON". Poor or no spark.
  - Spark plug is dirty... Replace sparkplug.
  - Faulty ignition system... Consult dealer.
4. Compression Insufficient
  - Worn out piston and cylinder... Consult dealer.

## GENERATOR WON'T PRODUCE POWER

Stop the engine, then restart. If A/C lights continue to flash consult your dealer.

## STORAGE

Long term storage of your machine will require some preventive procedures to guard against deterioration.

## DRAIN THE FUEL

1. Remove the fuel tank cap. Drain the fuel tank into an approved gasoline container using a commercially available hand siphon. Then, install the fuel tank cap.



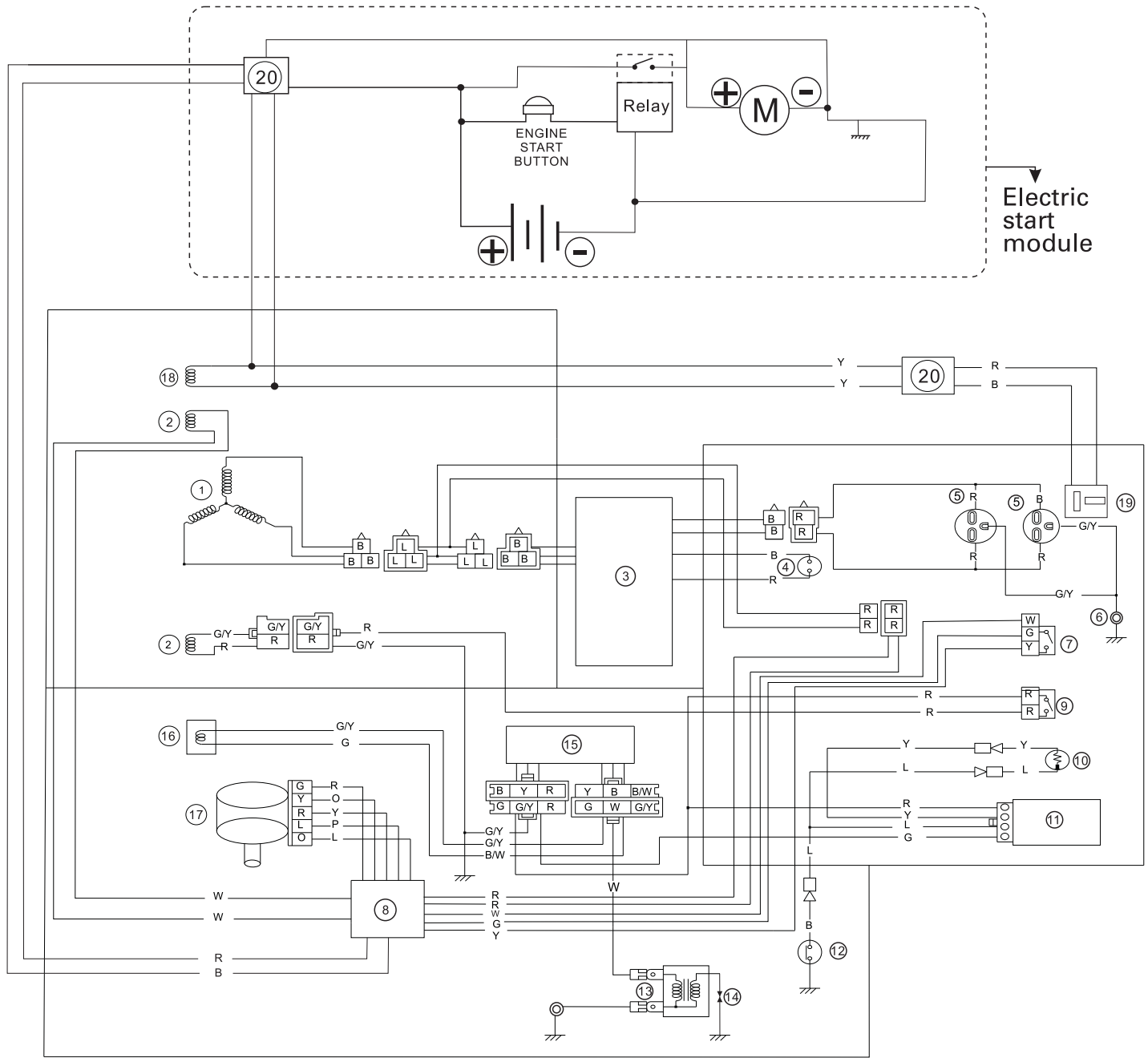
- **Fuel is highly flammable and poisonous.**
- **Wipe up any spilled fuel immediately.**

2. Drain fuel from the carburetor by loosening the drain screw on the carburetor float chamber.
3. Turn the fuel cock lever to "OFF". Start the engine and leave it run until it stops.  
This will burn any remaining fuel in the carburetor.

## ENGINE

1. Remove the spark plug, pour about one tablespoon of SAE 10W30 or 20W40 motor oil into the spark plug hole and reinstall the spark plug. Turn over engine several times (with ignition off) to coat the cylinder walls with oil.
2. Pull the recoil starter until you feel compression. The stop pulling. (This prevents the cylinder and valves from rusting).
3. Clean exterior of the generator and apply a rust inhibitor.
4. Store the generator in a dry, well-ventilated place, with the cover placed over it.
5. The generator must remain in a vertical position when stored, carried or operated.

# BOLIY Pro 3600Si & 3600Si/E DSP INVERTER GENERATOR WIRING DIAGRAM



## Color code

B - Black  
 G - Green  
 L - Blue  
 O - Orange  
 R - Red  
 W - White  
 Y - Yellow  
 P - Pink  
 B/W - Black/White  
 G/Y - Green/Yellow  
 W/L - White/Blue

1 - Main coil  
 2 - Sub coil  
 3 - Control unit  
 4 - AC indicator light/  
 Overload indicator light  
 5 - AC receptacle  
 6 - Ground (Earth) terminal  
 7 - Economy Control Switch  
 8 - Step Motor controller  
 9 - Engine switch  
 10 - Oil warning light  
 11 - Oil warning unit  
 12 - Oil level gauge

13 - Ignition coil  
 14 - Spark plug  
 15 - AC-CDI unit  
 16 - Pulsar coil  
 17 - Stepping motor  
 18 - Charge coil  
 19 - DC receptacle  
 20 - Ballast

# **BOLIY Pro 3600Si/ Pro3600SiE DSP INVERTER GENERATOR**

## **SPECIFICATIONS & DIMENSIONS**

OVERALL LENGTH (in)		23
OVERALL WIDTH (in)		16.5
OVERALL HEIGHT (in)		18.5
DRY WEIGHT (lb.)		3600 SI - 68 lbs, 3600 SI/E - 74 lbs
SHIPPING WEIGHT (lb.)		SI - 72lbs, SI/E -78lbs
FUEL TANK CAPACITY (US gal.)		2.1
NOISE LEVEL (1/4 load at 7m)		53-58 dB
<b>GENERATOR</b>		
TYPE	AC OUTPUT, Multistage permanent-magnet generator	
RATED OUTPUT (WATTS)		3000
MAX OUTPUT (WATTS)		3300
FULL TANK OUTPUT (WATTS)		13500
RUN TIME AT 1/2 RATED LOAD		7.5 hours
RUN TIME AT RATED LOAD		4 hours
POWER CONVERSION RATE		85-92%
RATED VOLTAGE (V)		120 North America / 230 Europe
RATED FREQUENCY (Hz)	60	50
RATED CURRENT (A)	25	13
DC OUTPUT (12V/8A)		YES
<b>ENGINE</b>		
TYPE	166F, OHV, AIR-COOLED, 4 - STROKE	
STARTING SYSTEM	RECOIL START/ELECTRIC START	
CYLINDER ARRANGEMENT	INCLINED, SINGLE CYLINDER	
BORE X STROKE (mm)		66 X 50
IGNITION SYSTEM	CDI	
SPARK PLUG TYPE	TC	BPR4ES (NGK) / F7R
GAP (in)		0.8 (0.028 - 0.031)
DISPLACEMENT	171CC	
RATED OUTPUT (HP) r/min		(4.9) / 3600
FUEL	UNLEADED GASOLINE	
ENGINE OIL QUANTITY (US qt)		-0.63
<b>THE FLUCTUATION OF VOLTAGE &amp; FREQUENCY</b>		
INSTANTANEOUS		25%
STABLE STATE		0%
STABLE TIME (second)		3
FREQUENCY		0.2%
<b>CHARACTERISTIC</b>		
AUTOMATIC RELEASE PRESSURE		YES
ELECTRO-BREAKER		YES
FUEL LEVEL GAUGE		YES
ENGINE OIL WARNING LIGHT		YES
OVERLOAD INDICATOR LIGHT		NO
AC INDICATOR LIGHT		YES
ENERGY CONSERVATION CURRENT IDLING		YES
INSULATION CLASS		F

## **ADDITIONAL GROUNDING INFORMATION & SAFETY TIPS**

### **MAJOR CAUSES OF INJURIES AND FATALITIES**

- Shocks & electrocution to users from improper use-improper connection to structures, such as residences, offices, shops and trailers.

### **SAFE WORK PRACTICES**

- Maintain and operate generators in accordance with the manufacturer's use and safety instructions.
- Do not attach a portable generator directly to the electrical system of a structure(home,office or trailer) unless the generator has a properly installed open-transition transfer switch.
- Always plug electrical appliances and tools directly into the generator using manufacturers supplied cords. Use heavy duty extension cords that contain a grounding conductor(3-wire flexible cord and 3-pronged cord connectors).
- Proper grounding and bonding prevent shocks and electrocutions.
- Use ground-fault circuit interrupters(GFCIs)as per the manufacturer's instructions.
- Visually inspect the equipment before use; remove defective equipment from service; mark or tag it as unsafe for use.

### **GROUNDING REQUIREMENTS(Portable and Vehicle-mounted Generators)**

Under the following conditions, OSHA directs that the frame of a portable generator need be grounded (connected to earth)and that the frame may serve as the ground(in place of the earth):

- The generator supplies only equipment mounted on the generator and/or cord-and plug-connected equipment through receptacles mounted on the generator.
- The noncurrent-carrying metal parts of equipment(such as the fuel tank, the internal combustion engine, and the generator's housing)are bonded to the generator frame, and the equipment grounding conductor terminals are bonded to the generator frame.

Thus, rather than connect to a grounding electrode system, such as a driven ground rod, the generator's frame replaces the grounding electrode.

If these conditions do not exist, then a grounding electrode, such as a ground rod, is required.

If these conditions do not exist, then a grounding electrode system, such as a driven ground rod, the generator's frame replaces the grounding electrode.

If the portable generator is providing electric to a structure by connection via a transfer switch to a structure(home,office,shop,trailer,or similar)it must be connected to a grounding electrode system, such as a driven ground rod. The transfer switch must be approved for the use and installed in accordance with the manufacturer's installation instructions by a qualified electrician.

### **SAFE WORK PRACTICES FOR PORTABLE TOOLS**

- Do not use underrated cord--replace them with appropriately rated cords that use heavier gauge wires.
- Never use electrical tools or appliances with frayed cords, missing grounding prongs, or damaged or cracked housings.
- Use double-insulated tools and equipment distinctively marks as such, where possible.
- Use batter-operated tools, where possible.

### **BONDING VERSUS GROUNDING**

Bonding and grounding are separate requirements for generators and other electrical distribution systems. Grounding means the connection, or the establishment of a connection, of an electric circuit or equipment to reference ground, which includes the generator's frame. Bonding is the intentional connection between the grounded circuit conductor(neutral)and the grounding means for the generator, which includes the generator's frame. Thus, effective bonding of the neutral conductor to the generator's frame is also a concern for the safe use of the equipment. As with grounding terminal connections, proper bonding of the neutral terminal of a power receptacle may be confirmed via testing by a competent electrician with the correct equipment, and the ohmic resistance should measure near zero and must not be intermittent, which indicates a loose connection.

## **PORTABLE GENERATOR HAZARDS**

### A Fact sheet on Portable Generator Safety

Portable generators are useful when temporary or remote electric power is needed, but they can be hazardous. The primary hazards to avoid during use are carbon monoxide poisoning, electric shock or electrocution, and fire.

#### **TO AVOID CARBON MONOXIDE HAZARDS:**

- Always use generators outdoors, away from doors, windows, and vents.
- NEVER use generators in homes, garages, basements, crawl spaces, or other enclosed or partially enclosed areas, even with ventilation.
- Follow manufacturer's instructions.
- Install battery-operated or plug-in (with battery backup) carbon monoxide (CO) alarms in your home, following manufacturer's instructions.
- Test CO alarms often and replace batteries when needed.

#### **TO AVOID ELECTRICAL HAZARDS:**

- Keep the generator dry. Operate on a dry surface under an open, canopy-like structure.
- Dry your hands before into generator or use a heavy-duty outdoor-rated extension cord that is free of cuts or tears and the plug has all 3 prongs, especially a grounding pin.
- NEVER plug the generator into a wall outlet. This practice, known as backfeeding, can cause an electrocution risk to utility workers and others and served by the same utility transformer.
- If necessary to connect generator to house wiring to power appliances, have a qualified electrician install appropriate equipment. Or, your utility company may be able to install an appropriate transfer switch.

#### **TO AVOID FIRE HAZARDS:**

- Before refueling the generator, turn it off and let it cool. Fuel spilled on hot engine parts could ignite.
- Always store fuel outside of living areas in properly labeled, non-glass containers.
- Store fuel away from any fuel-burning appliance.

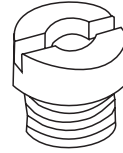
**For more information contact:  
The U.S. Fire Administration  
16825 South Seton Avenue  
Emmitsburg, MD 21727  
Or  
Visit the USFA Web Site:  
[www.usfa.fema.gov](http://www.usfa.fema.gov)**

## Appendix

### High Altitude Jetting 4,000 Feet and Over **Change nozzle jet for high altitude application**

Modifications are as follows:

On the bottom of the carburetor bowl there is a large hex nut. Unscrew the nut and pull off the bowl. Right up the center of where the nut just unscrewed from is the nozzle jet. Take the proper flathead screwdriver and carefully insert up the hole and unscrew the jet. Be very careful as the jet is brass. Remove jet only as there are other parts above the jet that might fall out. Insert new jet and screw back into bottom of hole doing exactly opposite of what you did to get jet out. do not over tighten jet, only get it seated snugly.



Part number:  
BOLYE17

Replace fuel bowl and the nut in the bottom center and also tighten snugly. Note, you can take a small mirror and place under the carburetor and see the jet and also you will need this as well to make sure that the fuel bowl is aligned properly. It is very easy for the fuel bowl to hang up on a flange of the aluminum carburetor casting and not seat on the gasket that sits between the fuel bowl and carburetor casting causing a leak. After this is done turn on the gas and check for leaks. After this is done turn on the gas and check for leaks. If there are leaks it will most likely be that the fuel bowl is not sitting on the gasket properly as it is very easy to hang up on the carburetor casting. If it leaks, just loosen the center nut and move fuel bowl around to seat properly on the gasket only and re-tighten nut.

The best screwdriver to get jet out with is just the multi type screwdriver and camps it with a small pair of vise grips. Be very careful not bo over tighten and also watch proper counter-clockwise to remove and clockwise to re-install.

Note; there is also a small gasket between the fuel bowl and the nut. Don't loose it and make sure its there when you replace nut or it will leak.

Suzhou Zhonggu Mould Co., Ltd.  
Huangqiao Industrial Park,  
Suzhou Jiangsu,  
215132,China  
Tel: +86-512-65466507





# BOLIY WARRANTY REGISTRATION

You can also register ONLINE at [www.boliypower.com](http://www.boliypower.com)

Important ! Please complete and return within the next 15 days!

Digital inverter generator

1.  Mr  Mrs  Ms  Miss

First Name	Initial	Last Name
<input type="text"/>	<input type="text"/>	<input type="text"/>

Street	Apt. No.
<input type="text"/>	<input type="text"/>

City	State	ZIP code
<input type="text"/>	<input type="text"/>	<input type="text"/>

E-mail Address:

2. Date of birth

<input type="text"/>	<input type="text"/>
MM YY	YY

3. Marital status  Married  Single

4. Telephone Number

5. Date of the purchase

<input type="text"/>	<input type="text"/>	<input type="text"/>
Month	Day ear	Y

6. Serial Number

7. Name of the store where purchased

8. Price you paid (excluding sales tax): \$

9. If you feel there is need for improvement, what should it be?

Fold, staple or tape as indicated, and mail.

-----  
↗ Fold Here ↖

-----  
↗ Fold Here ↖

**Boliy Power America,  
PO BOX 007 Iselin,  
NJ 08830-0007**

**PLACE STAMP  
HERE**  
The Post Office  
will not deliver  
mail without  
postage.

-----  
↗ Fold Here ↖

-----  
↗ Fold Here ↖

[www.boliypower.com](http://www.boliypower.com)



Suzhou Zhonggu Mould Co., Ltd.  
Huangqiao Industrial Park,  
Suzhou Jiangsu,  
215132, China  
Tel: +86-512-65466507

Version 7, 2010